

SERIES 'SF' & 'SG'
FLAT GLASS WINDOWS

CONNECTION BSP	PART NUMBER CLEAR GLASS WITHOUT A REFLECTOR	PART NUMBER CLEAR GLASS WITH A REFLECTOR	DIMENSIONS mm				STANDARD WORKING PRESSURE BAR.G.
			A	B	C	D	
1/2"	SFG04135*	N/A	33	30	19	14	16
3/4"	SFG06135*	SGG06135*	33	31	19	16	16
1"	SFG08135*	SGG08135*	38.1	34.5	21	19	16
1 1/4"	SFG10135*	SGG10035*	52	37	31	22	24
1 1/2"	SFG12135*	SGG12135*	52	36.5	31	22	24
2"	SFG16135*	SGG16135*	65	37	45	22	14.5

WINDOW SIGHT GLASS

WHEN ORDERING PLEASE STATE PART NUMBER,
THREAD SIZE, FLUID, OPERATING TEMPERATURE &
PRESSURE.

ORDERING CODE

Example: SFG04135* is:

- SFG - Sight Flat Glass,
- 04 - 1/2" BSP Parallel connection
- 1 - BS 1936 undercut,
- 35 - Mild Stl.
- * - O'ring material to suit.

CONNECTIONS:

Alternative thread sizes may be available.

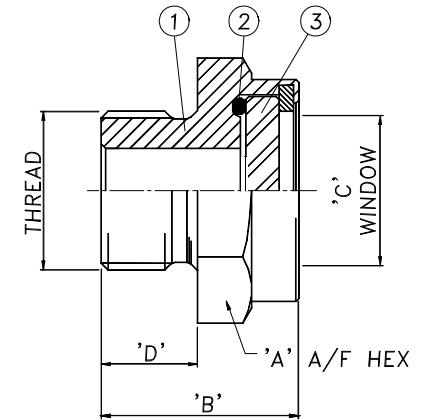
WORKING PRESSURE:

See tables.

OPERATING TEMPERATURE:

Subject to seal material.

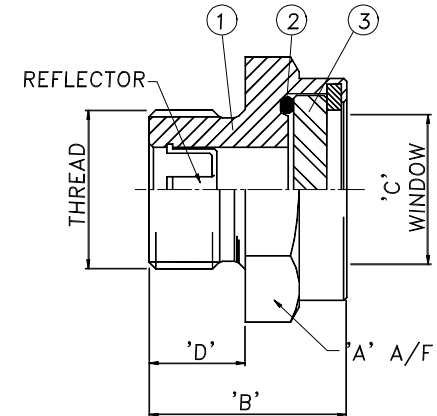
SERIES 'SF'



PARTS & MATERIAL LIST

No.	ITEM	MATERIAL
1	BODY	MILD STL. ZINC PLATED & PASSIVATED. ST.STL. 316.
2	SEAL	TO SUIT APPLICATION
3	VIEWING WINDOW	SIZES: 1/2", 3/4" & 1" ANNEALED BOROSILICATE HEAT RESISTING GLASS. SIZES: 1 1/2", 1 1/4" & 2" TOUGHENED SODA LIME GLASS.

SERIES 'SG'



SEETRU LIMITED

WINDOW SIGHT GLASS

SIGHT GLASS SERIES
TYPE 'SF'
TYPE 'SG'