

GEM-S | 1/4" - 1" 2 Way NC, NO



Brass | 1/4" | NC



Brass | 1/2" | NO



Stainless Steel | 3/4" | NC



Stainless Steel | 1" | NC

Technical Data

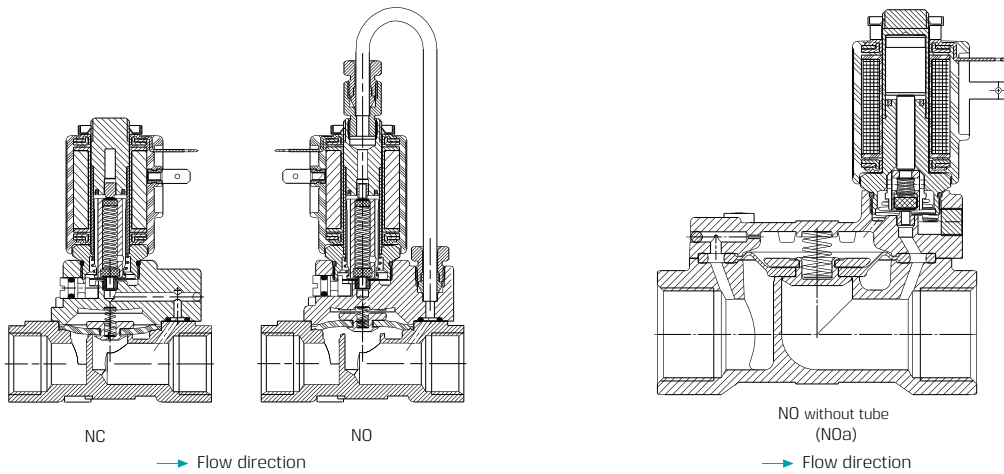
Function	2 Way NC, NO
Ports size	1/4", 3/8", 1/2", 3/4", 1" BSP & NPT
Pressure range	See table * Minimum pressure differential of 0.3 or 0.5 is required
Kv (l/min)	See table
Temperature range	Fluid : -10°C to 80°C (no freezing) Ambient : -10°C to 50°C
Materials in contact with media	Manual override: NC/NO - Brass screw NOa* - manual override is not available *pressure is supplied through the base Main Valve: Brass, Stainless Steel AISI 316 Solenoid Operator: Stainless Steel AISI 300 & 400 series Seals: NBR, FPM (Viton®), EPDM
Coil voltage	• Voltage and power consumption - see table • All Baccara coil voltages are ± 10% of nominal
Standard / Certification	• NSF/ANSI 61 & 372 • AS/NZS 4020 • UL 429 * Available on selected models only. Please contact our technical sales department for details.
Standard protection class	IP65 with connector * Option : IP68 (please refer to GEM-BP Coil)

• Slow closing system to prevent water hammer effect

Voltage & Power Consumption

V	AC (W)						DC (W)		
	50 Hz			60 Hz			10	5.5	3.5
6							•		
12	•			•			•		
24	•			•			•		
48	•			•			•		
110	•			•			•		
120	•			•					
220	•			•			•		
230	•								
240	•			•			•		

• Available options



Pressure (bar) & Flow table NO/NC
GEM-S-□-20...41

Size	Orifice (mm)	Pressure (bar)	Kv (l/min)
1/4"	8	0.5 to 20	12
3/8"	8		16
1/2"	12		35

Pressure (bar) & Flow table NO/NC
GEM-S-□-□r

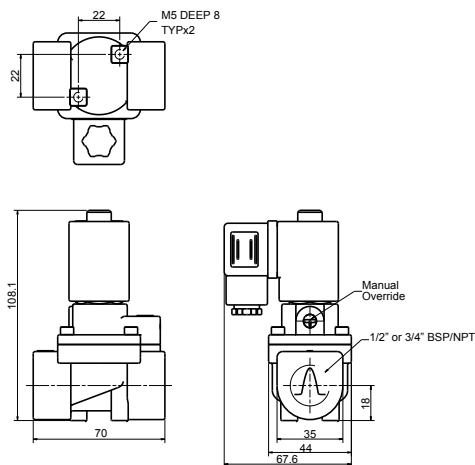
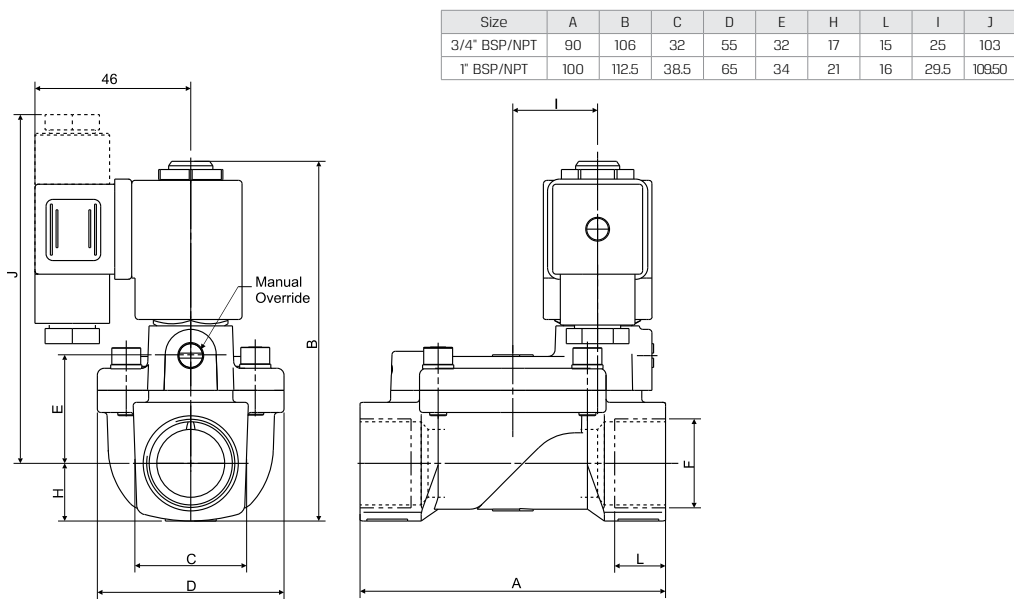
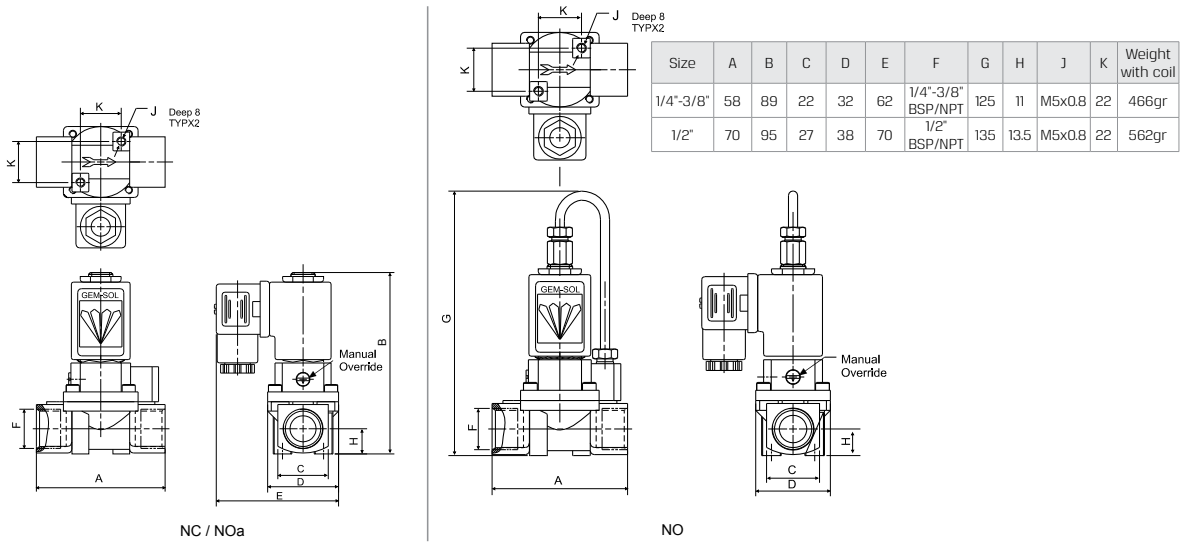
Size	Orifice (mm)	Pressure (bar)	Kv (l/min)
1/2"	16	0.5 to 20	60
3/4"	16		80

Pressure (bar) & Flow table NO/NC
GEM-S-□-50...60

Port Connection	Orifice (mm)	Pressure (bar)		Kv (l/min)
		AC	DC	
3/4"	20	0.3 to 15	0.3 to 15	130
1"	25	0.5 to 15	0.5 to 15	200

ELECTRIC & HYDRAULIC VALVES | GEM & G75

Dimensions



GEM - □r 16mm orifice
NC / NOa

How to Order

GEM-S	BODY	PORT	FUNCTION	SEALS	MANUAL OVERRIDE	VOLTAGE	POWER	CONNECTOR						
Brass	2	1/4" BSP	2W NC	1 NBR	N	None	0	W/out coil	0	No coil	0	without	0	
Stainless Steel	3	1/4" NPT	2W NO ⁽¹⁾	2	FPM (Viton®)	V	Slot	2	6	1	AC8W 50Hz	1	with	1
		3/8" BSP	2W NO ⁽²⁾ w/out tube	2a	EPDM	E	Knob	3	12	2	AC8W 60Hz	2	with LED	2
		3/8" NPT							24	3	DC10W	3	with bi- color LED	3
		1/2" BSP							48	4			flying leads coil	4
		1/2" NPT							110	5			with 1/2" Hub	5
		3/4" BSP							120	6			surge protection with LED	6
		3/4" NPT							220	7A			connector with moulded cable	7
		1" BSP							230	7			other	9
		1" NPT							240	8				
								Latch/ other ⁽³⁾	9					

Example : GEM-S-2202V2-321

GEM-SOL pilot operated, brass, 1/4"BSP, 2W NO, FPM (Viton®) seals, slot manual override, 24V AC8W 60Hz with connector.

GEM-S	-	2	20	2	V	2	-	3	2	1
-------	---	---	----	---	---	---	---	---	---	---

(1) Option available in 1/4" - 1/2"

(2) Without manual override

(3) For specifying Latch type coil, please refer to GEM-A3P valve - How to Order table.

* Note: When ordering without coil, please define what current and pressure rating is needed (DC, AC or ADC), otherwise an ADC valve will be supplied.

How to Order

GEM-S	BODY	PORT	FUNCTION	SEALS	MANUAL OVERRIDE	VOLTAGE	POWER	CONNECTOR						
Brass	2	1/2" BSP	2W NC	1 NBR	N	None	0	W/out coil	0	No coil	0	without	0	
Stainless Steel	3	1/2" NPT	2W NO	2	FPM (Viton®)	V	Slot	2	6	1	AC8W 50Hz	1	with	1
		3/4" BSP	2W NO ⁽¹⁾ w/out tube	2a	EPDM	E	Knob	3	12	2	AC8W 60Hz	2	with LED	2
		3/4" NPT							24	3	DC10W	3	with bi- color LED	3
								48	4			flying leads coil	4	
								110	5			with 1/2" Hub	5	
								120	6			surge protection with LED	6	
								220	7A			connector with moulded cable	7	
								230	7			other	9	
								240	8					
								Latch/ other ⁽²⁾	9					

Example : GEM-S-240r1V2-321 (16mm orifice size)

GEM-SOL pilot operated, brass, 1/2"BSP, 2W NC, FPM (Viton®) seals, slot manual override, 24V AC8W 60Hz with connector.

GEM-S	-	2	40r	1	V	2	-	3	2	1
-------	---	---	-----	---	---	---	---	---	---	---

(1) Without manual override.

(2) For specifying Latch type coil, please refer to GEM-A3P valve - How to Order table.

* Note: When ordering without coil, please define what current and pressure rating is needed (DC, AC or ADC), otherwise an ADC valve will be supplied.

* To order valves manufactured according to your specific requirements, please contact our technical sales department.