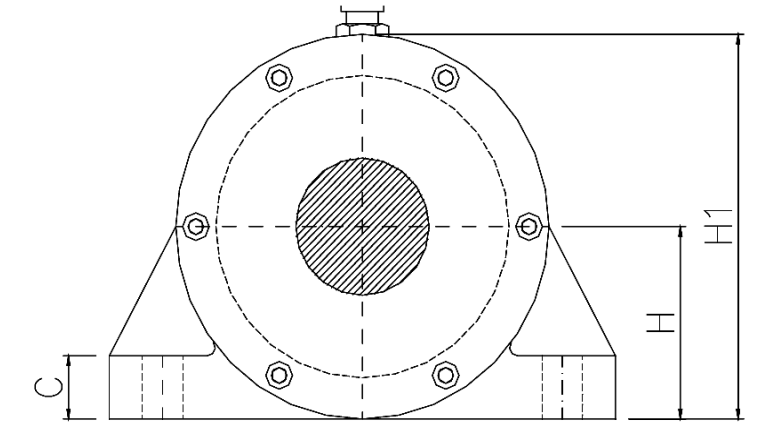
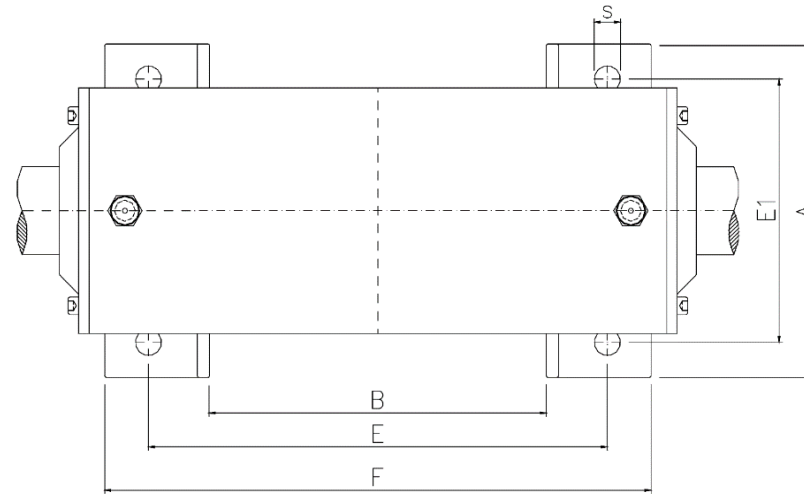
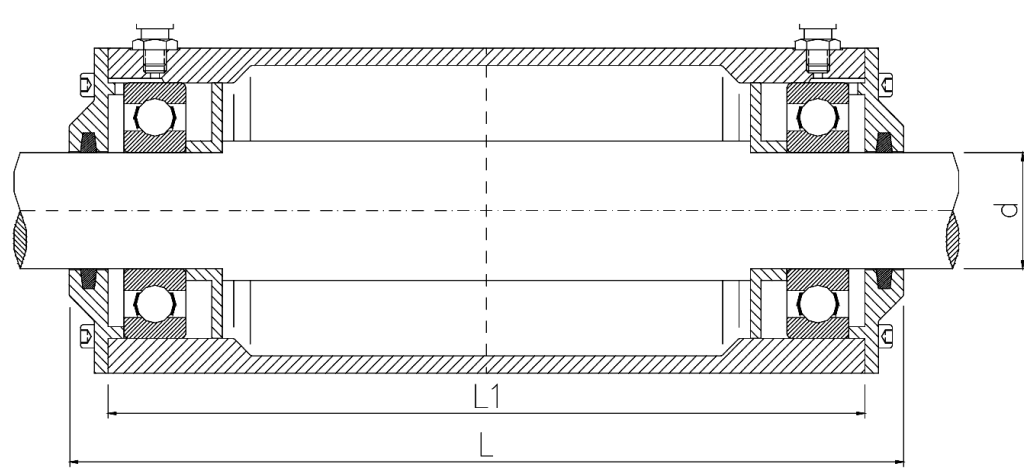




## BL Series - Fan Bearing Housings

Optional grease control discs for ball bearings (without shaft).



These housings are especially suitable for ventilation fans running with a higher speed than common pillow blocks. Since misalignment errors are largely excluded, ball bearings can be installed in these housings. The grease quantity control washers on both sides simplify maintenance and throw excess grease into the middle of the large housing space.

Part No.	Dimensions (mm)												Bearings	Spring Washer	Max. Speed (rpm)	First fill (g)	Regreasing (g)	Weight (kg)
	d	L	L1	A	F	E	E1	B	H1	H	C	s						
BL 25	25	218	184	155	171	135	120	89	95	50	16	11,5	6305 C3	6200-6305	11000	50	5	6,5
BL 30	30	300	266	170	250	210	130	150	100	50	18	15	6306 C3	6200-6306	9000	60	5	7,8
BL 35	35	330	296	190	260	240	150	160	120	60	20	15	6307 C3	6200-6307	8500	80	5	9,2
BL 40	40	330	296	190	260	240	150	260	120	60	20	15	6308 C3	6200-6308	7500	110	10	10,7
BL 40 S-W	40	450	416	190	400	360	150	300	120	60	20	15	6308 C3	6200-6308	7500	110	10	16,2
BL 45	45	365	331	190	313	263	150	193	140	70	23	15	6309 C3	6200-6309	6700	140	10	14,0
BL 45 H	45	305	282	190	250	200	150	166	118	60	20	15	6209 C3	6200-6209	7500	110	10	11,5
BL 45 S-L	45	331	297	190	240	180	150	120	180	110	23	15	6309 C3	6200-6309	6700	140	10	17,5
BL 50	50	365	331	190	313	263	150	193	140	70	23	15	6310 C3	6200-6310	6300	190	10	13,0
BL 50 S-W	50	550	516	190	498	448	150	378	140	70	23	15	6310 C3	6200-6310	6300	190	10	21,6
BL 55	55	405	371	210	255	295	170	115	160	80	25	20	6311 C3	6200-6311	5600	240	15	22,0
BL 60	60	405	370	210	225	295	170	115	160	80	25	20	6312 C3	6200-6312	5000	300	15	21,2
BL 60 P-K / BLK 60	60	365	349	224	-	263	190	-	160	80	22	15	6312 C3	6200-6312	5000	300	15	21,0
BL 60 S-L	60	475	441	210	392	320	170	252	210	130	75	20	6312 C3	6200-6312	5000	300	15	25,2
BL 60 SS	60	740	706	210	685	595	170	555	160	80	25	20	6312 C3	6200-6312	5000	300	15	35,0
BL 70	70	450	416	270	400	330	210	240	190	95	28	24	6314 C3	6200-6314	4500	480	20	31,0
BL 75	75	450	416	270	400	330	210	240	190	95	28	24	6315 C5	6200-6315	4300	590	20	32,5
BL 80	80	490	450	290	420	350	230	270	217	112	30	24	6316 C3	6200-6316	3800	700	20	50,5
BL 80 P-K / BLK 80	80	395	375	300	-	295	250	-	210	105	30	24	6316 C3	6200-6316	3800	700	20	44,0
BL 80 P-L	80	590	566	335	-	450	280	-	240	120	35	24	6316 C3	6200-6316	3800	700	20	75,0
BL 85	85	584	560	350	520	440	290	360	225	112	30	24	6317 C3	6200-6317	3600	900	25	53,5
BL 90 P-K	90	440	516	355	400	330	280	244	240	120	35	24	6318 C3	6200-6318	3400	1000	25	64,5
BL 90 P-L	90	590	566	355	540	450	280	274	240	120	35	24	6318 C3	6200-6318	3400	1000	25	85,0
BL 95	95	540	500	340	470	400	280	310	245	125	35	24	6319 C3	6200-6319	3200	1150	30	60,3
BL 100 P	100	590	562	400	540	450	335	332	290	145	40	24	6320 C3	6200-6320	3000	1450	35	95,0
BL 110 P	110	590	562	400	540	450	335	332	290	145	40	24	6322 C3	6200-6322	2600	1900	40	86,0