

# S-Series Pressure Transmitter & Switch



- SLX | 4Digit LED, DISPLAY
- SLT | 4Digit LED, 4~20mA
- SDS | 4Digit LED, 2SPDT
- SIT | 4Digit LED, 2SPDT, 4~20mA

S-Series 방폭 압력계는 액체 또는 호환성 기체의 압력을 정밀하게( $\pm 0.25\%$ ) 측정하여 4 digit로 표시하며 2개의 스위치 접점을 제어한다. 각각의 스위치는 독립적으로 작동하는 A,B 접점과 4~20mA DC 전류를 출력한다. 공급압력의 최대치를 측정하는 기능과 어느레벨의 압력을 기준으로 하여 변화량을 측정하는  $\Delta P$  모드가 있으며 Panel의 key를 통하여 간단히 모드전환이 가능 하므로 편리하게 활용 할 수 있다. Zero점의 조정과 Range의 변경은 전면의 key를 통하여 간단히 이루어진다.

S-Series Pressure Switch & Transmitter are measures and controls positive, negative(vacuum) pressure of liquid and corrosive gases.

And for the variously choice of ranges available to suit your needs precisely.

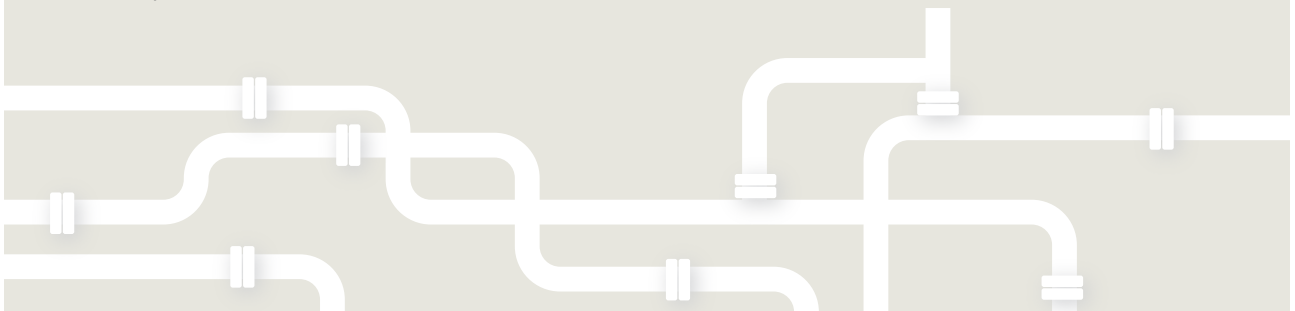
The S-Series model has three functions of gauge(4 digit LED display), switch(2 SPDT) and transmitter(4~20mA).

And it can be adjust zero & span by one touch key on the front pad. It is very easy to set.

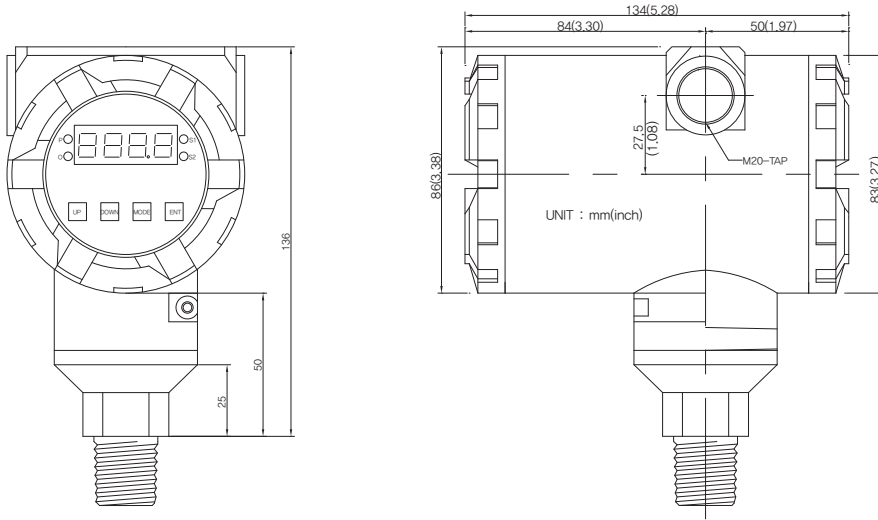
And it has additional functions of peak pressure and deviation(offset) pressure monitoring functions.

These functions are very easy to use by one touch key on the front pad.

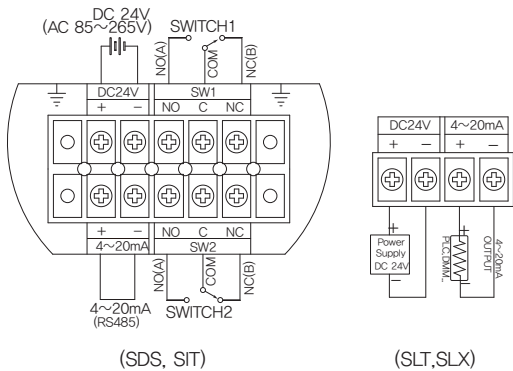
Accuracy is  $\pm 0.25\%$  to full scale available.



## Dimension



## Wiring



### SWITCH (SDS, SIT)

Relay Contact : 2 SPDT(NC – COM – NO)  
 Contact Rating : 5A@30VDC, 5A@250VAC  
 Connections : 6 Screw Terminal Block  
 Level Setting : Switch 1 & 2 각각 독립 레벨설정

### GENERAL

Maximum Pressure : Rated Range x 2  
 Media Compatibility : SUS 316 적용가능한 기체, 액체  
 Pressure Range : Order Production

### ELECTRICAL

Power Supply : DC18~36V or  
 AC85~265V (50~60Hz)  
 Connections : 2 Screw Terminal Block  
 Display : 4 Digit LED  
 Warm up Time : 15 minutes

### TRANSMITTER (SLT, SIT)

Connections : 2 Screw Terminal Block  
 Output Signal : 4~20mA DC (limited at 30mA DC)  
 Loop Resistance : 0~1100Ω  
 Zero & Span Adj : One Touch Adjustable On Panel

### PERFORMANCE AT 23°C

Zero Adjust : 4mA  
 Full Span Output : 20mA  
 Accuracy :  $\pm 0.25\%$  FSO(Includes Linearity,  
 Hysteresis & Repeatability)  
 Operating Temperature : -40 to 125°C  
 Compensated Temperature : -10 to 70°C  
 Ambient Temperature : -40 to 85°C

### MECHANICAL

Pressure Connections : 1/4", 3/8", 1/2"PT male  
 Materials : Aluminum Diecasting  
 International Protection : IP 67  
 Explosion Proof : Ex d IIC T6  
 Weight : Approx, 1.3kg

### STANDARD ACCESSORIES

Taper Plug 1/2", Cable Grand NEC-16A