

P-Series Differential Pressure Transmitter



PXT | 4~20mA, 2-WIRE



PDT | 4~20mA, 2-WIRE,
4Digit LCD Display

PXT or PDT Series 차압계는 공기 또는 비부식성 기체의 차압, 정압, 연성압(±), 진공압, 게이지압을 정밀하게 ($\pm 0.25\%$) 측정하여 전류(4~20mA) 신호로 출력한다.

Zero점의 조정, Range의 변경은 전면의 key를 통한 간단한 조작으로 할 수 있게 되어 있으므로 조정하는 작업자에 의한 오류, 편차를 줄일 수 있다.

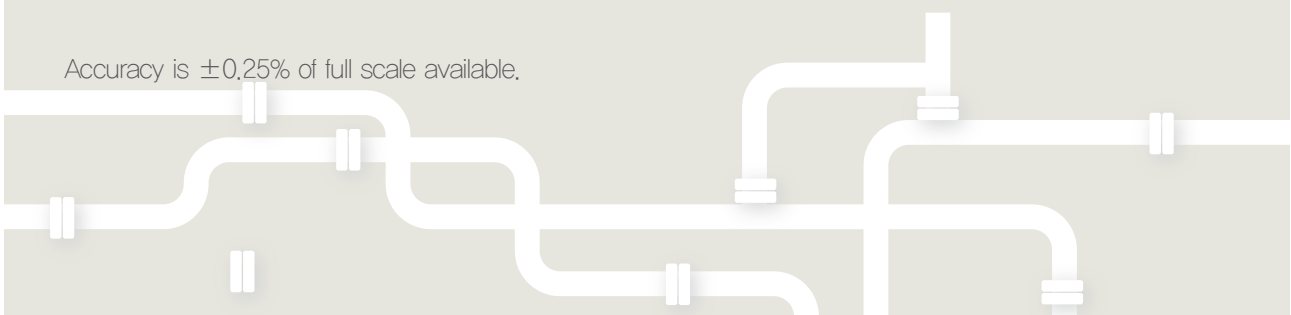
PXT or PDT Series Pressure Transmitter are measures positive, negative(vacuum) and differential pressure of air and non corrosive gases. And for the variously choice of ranges available to suit your needs precisely.

The PXT or PDT Series is a basic 4~20mA Transmitter with uni-directional and bi-directional spans. And 1~5V voltage out put is available too. PXT or PDT Series has 4 digits LCD Display. And it can be adjust zero & span by one touch key on the front pad. It is very easy to set.

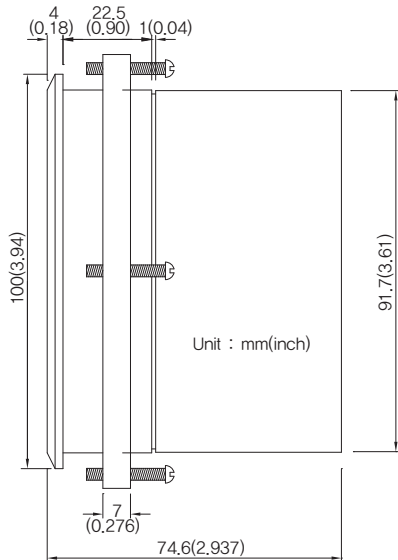
And it has additional functions of peak pressure monitoring and deviation(offset) pressure measure function.

These functions are very easy to use by one touch key on the front pad too.

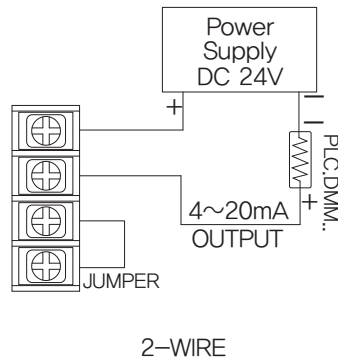
Accuracy is $\pm 0.25\%$ of full scale available.



Dimension



Wiring



GENERAL

Maximum Pressure : Rated Range x 2
Media Compatibility : 공기 및 비부식성기체
Pressure Range : Order Production

ELECTRICAL

Power Supply : DC24V 2-Wire Loop Power
Connections : 2 Screw Terminal Block
Display : 4 Digit LCD(PDT)
Warm up Time : 15 minutes

TRANSMITTER

Connections : 2 Screw Terminal Block
Output Signal : 4~20mA DC (limited at 30mA DC)
Loop Resistance : 0~1100Ω
Zero & Span Adj : One Touch Adjustable On Panel

PERFORMANCE AT 23°C

Zero Output : 4 mA(Adjustable)
Full Span Output : 20 mA(Adjustable)
Accuracy : $\pm 0.25\%$ FSO (Includes Linearity, Hysteresis & Repeatability)
Operating Temperature : -40 to 85°C
Compensated Temperature : -10 to 70°C

MECHANICAL

Pressure Connections : 1/8" PT female
Materials : ABS mold resin
Weight : Approx, 250g

STANDARD ACCESSORIES

1/8" PT Hose Nipple(2EA), Snap Ring,
Mount Ring, Mount Bolts(4EA),
Terminal Block Cover & Packing