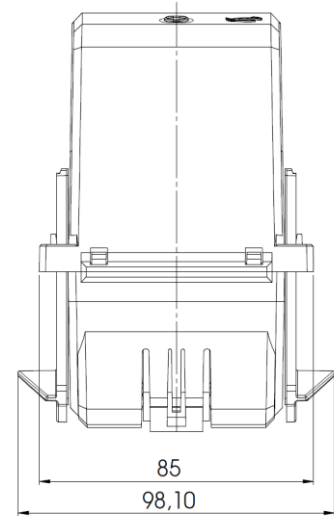
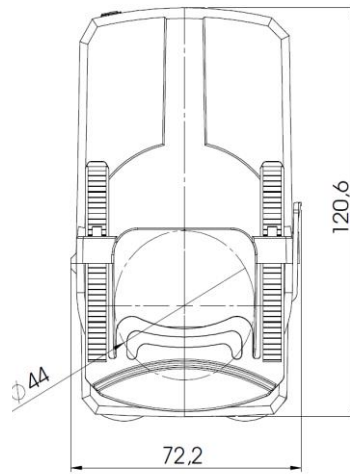


KBR 44 Split-core current transformer



Dimensions:

Round conductor: 44 mm
 Transformer width: 72.2 mm
 Transformer height: 120.6 mm
 Transformer depth incl. fixing clasps: 98.1 mm

General technical specifications:

Thermal nominal continuous rated current I_{cth} : $1.2 \times I_N$
 Thermal nominal short-time current I_{th} : $60 \times I_N$, 1 sec.
 Maximum operating voltage U_m : 0.72 kV
 Isolation test voltage: 3 kV, U_{eff} , 50 Hz, 1 min.
 Rated frequency: 50 Hz
 Isolation class: E
 Applicable technical standards: DIN EN 60044/1
 VDE 0414 Teil 1

Further information about our new split-core current transformer KBR 44:

- Split-core current transformers are mainly used for an easy fitment and subsequent assembly into an already existing installation, without separating the primary conductor.
- The compact split-core current transformer KBR 44 has been developed to have easy access in already existing installations.
- Due to the „click“-system and the fixing-clasps even a one-hand mounting is possible.
- The KBR 44 with secondary 1A will be delivered with 2.5 m connection cable $2 \times 0.75 \text{ mm}^2$ (color coded; S1 = brown; S2 = blue). Other lengths of the connection cables are possible on request.
The secondary 5A – version will be delivered with 0.5m connection cable $2 \times 1.5 \text{ mm}^2$.
- For the use as a current sensor the KBR 44 is optionally deliverable with a voltage output of 0 – 333 mV (min. burden resistance $\geq 1 \text{ k}\Omega$).
Moreover the KBR 44 is deliverable as a measuring transducer with a measuring output of 4...20 mA DC.
- Operating temperature: $-5^\circ\text{C} < T < +50^\circ\text{C}$
- Storage temperature: $-25^\circ\text{C} < T < +70^\circ\text{C}$

Order list

Secondary current		5A	1A	Output signal	0...333 mV AC	4...20 mA DC
Primary current [A]	Burden [VA]	Accuracy class	Accuracy class	Primary current [A]	Accuracy class	Accuracy class
		1FS5	1FS5		1	1
		Best.-Nr.	Best.-Nr.			Best.-Nr.
250	1.5	44-5001		250	44-1001	44-2001
	2.5		44-0001			
300	2.5	44-5006	44-0006	300	44-1006	44-2006
400	5	44-5011	44-0011	400	44-1011	44-2011
500	5	44-5016	44-0016	500	44-1016	44-2016
600	5	44-5021	44-0021	600	44-1021	44-2021
750	5	44-5026	44-0026	750	44-1026	44-2026
800	5	44-5031	44-0031	800	44-1031	44-2031
1000	5	44-5036	44-0036	1000	44-1036	44-2036

Technical characteristics for the KBR with output signal 4...20 mA:

- 2-wire connection, auxiliary power via output circuit
- Auxiliary power: 24 V DC \pm 15 %, $P_V = \text{max. } 1 \text{ VA}$
- Load-independent DC current: Live-zero, 4...20 mA
- External resistance: max. 300 Ω
- Current limit under overload: < 30 mA
- Residual ripple of the output current: $\leq 1 \%$ p.p.
- Response time: < 300 ms

Wiring diagram of the KBR 44 (4...20 mA):

