


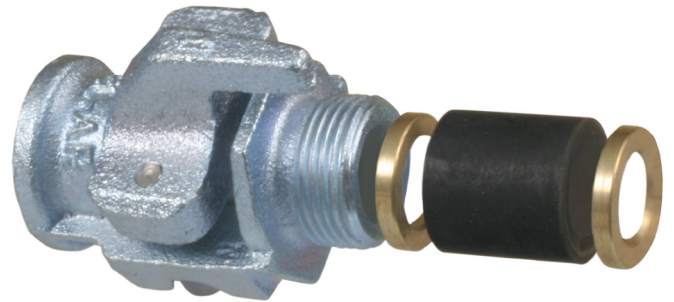


cable gland

mode of protection  I M2 Ex d I
 II 2G Ex d IIC
 II 1D Ex tD A20 IP66

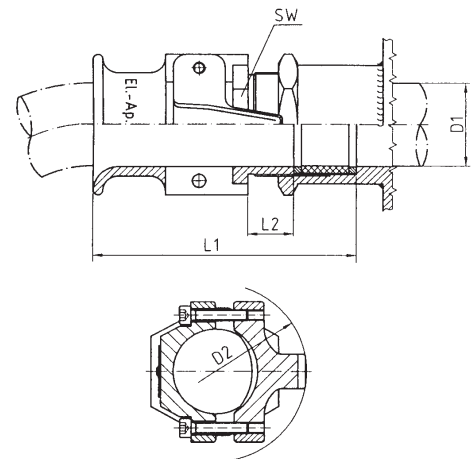


type 54230

for cables to be used at Ex d I / IIC apparatus

EC-Type-Examination-Certificate IBExU01ATEX1033 U

material	
trumpet	malleable cast iron, hot dipped galvanized
clamp	malleable cast iron, hot dipped galvanized
pressure ring	steel blue chromated, brass
optional	nickel plated, chromated surfaces or coated
sealing	EPDM (Viton, Neoprene or Silicone optional)
optional stainless steel	



item number	thread	cable diameter D1		D2	L1	SW	L2	kgs (weight)
54230.10-0	M 22 x 1,5	8	10	52	73	32	12	0,27
54230.12-0		9	12					0,26
54230.14-0		12	14					0,24
54230.16-0	M 28 x 1,5	13	16	60	91	36	14	0,41
54230.18-0		15	18					0,40
54230.19-0		17	19					0,38
54230.21-0	M 36 x 1,5	18	21	72	109	46	18	0,64
54230.24-0		20	24					0,60
54230.26-0		22	26					0,56
54230.28-0		25	28					0,53
54230.32-0	M 48 x 1,5	28	32	82	124	55	22	1,06
54230.36-0		32	36					0,91
54230.38-0	M 55 x 1,5	34	38	92	135	65	24	1,42
54230.40-0		36	40					1,32
54230.44-0		40	44					1,12
54230.46-0	M 65 x 1,5	41	46	112	140	75	28	1,94
54230.49-0		44	49					1,76
54230.53-0		48	53					1,57
54230.57-0	M 80 x 2	52	57	122	152	90	28	2,88
54230.61-0		55	61					2,64
54230.65-0		60	65					2,32
54230.68-0		64	68					2,06
54230.74-0	M 95 x 2	68	74	144	167	105	28	3,37
54230.80-0		74	80					2,81
54230.86-0	M 100 x 2	80	86	160	172	110	28	2,96