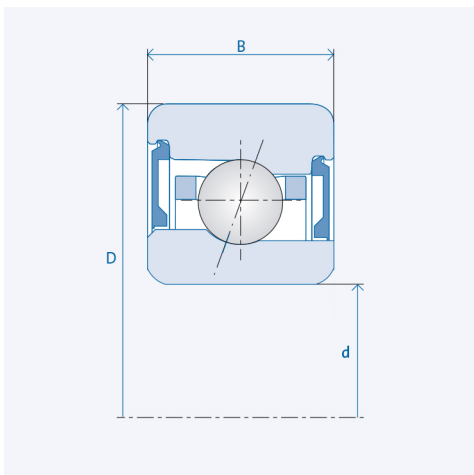


# Spindle ball bearings (HY)\* KH 6003 E



## Precision class P4 / ABEC7

### Components

Bearing designation:	(HY)* KH 6003 E
Bearing design:	KH
Series / size:	6003
Ball material:	Steel 100Cr6
Ball material HY :	Ceramic Si3N4
Cage:	TA (TXM available upon request)
Seal:	2RZ upon request
Precision:	P4 (HG, UP, P2 upon request)
Main dimensions [d x D x B]:	17 x 35 x 10 mm

### Technical data (Standard bearings)

Static load capacity $C_0$ :	1680
Dynamic load capacity C:	3600
Speed limit $n_{Fett}$ :	55500
Speed limit $n_{Oj}$ :	74000

### Technical data (Hybrid bearings)\*

Static load capacity $C_{0HY}$ :	1180
Dynamic load capacity $C_{HY}$ :	3600
Speed limit $n_{Fett}$ :	69375
Speed limit $n_{Oj}$ :	92500

### Pre-tension

Light (L):	30 N
Axial rigidity ( $C_{ax}$ ):	42 N/ $\mu$ m
Medium (M):	90 N
Axial rigidity ( $C_{ax}$ ):	63 N/ $\mu$ m
Heavy (S):	180 N
Axial rigidity ( $C_{ax}$ ):	82 N/ $\mu$ m
Spring preload (Ff):	175 N

The given speed limits apply to individual bearings with spring preload. Correction factors must be considered for all properties which deviate from this.

\* All ball bearings are also available as hybrid ball bearings (HY).