

GAS TRON

01 - Fixed type VOC Gas Detector

Flame Proof Type Diffusion VOC Gas Detector

GTD-2000VOC

Feature

- ▷ Continuous detection of VOC gas in explosion hazardous area with flame proof structure
- ▷ Self diagnosis function with built-in Microprocessor
- ▷ Low concentration VOC gas detection by PID sensor
- ▷ Stable quality and proved detection principle for service life
- ▷ Multi functions and high quality with low cost of ownership
- ▷ Built-in back light LCD or OLED display
- ▷ Easy Configuration of monitoring by HART communication
- ▷ Auto calibration and program setting with a magnet bar
- ▷ 4-20mA DC output signal
- ▷ With the alarm unit
 - Normal : Green LED
 - Alarm : Red LED, Buzzer(95 dB)
 - Trouble : Yellow LED
- ▷ 3-wire connection for signal & power
- ▷ Calibration and maintenance by one-man

Special Application



Alarm Beacon Type



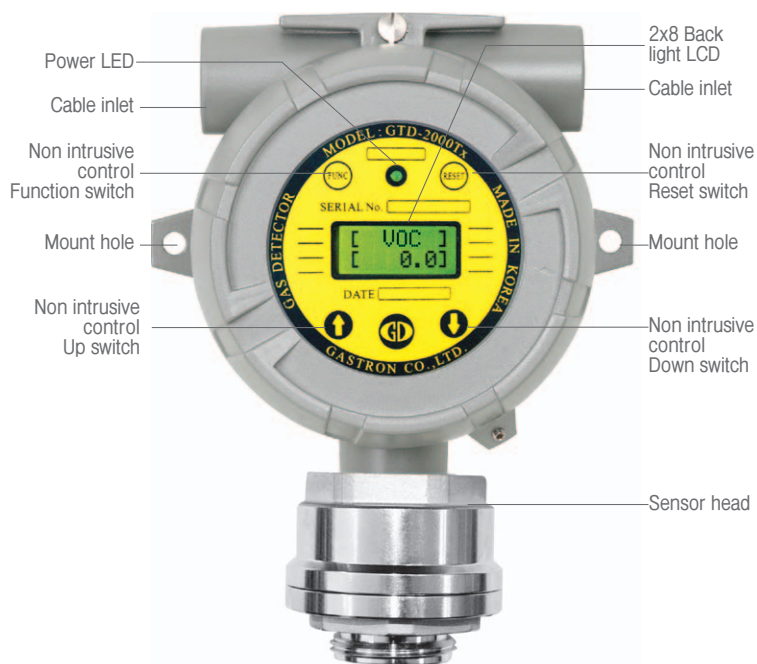
SIL2

IEC 61508
Safety Integrity Level

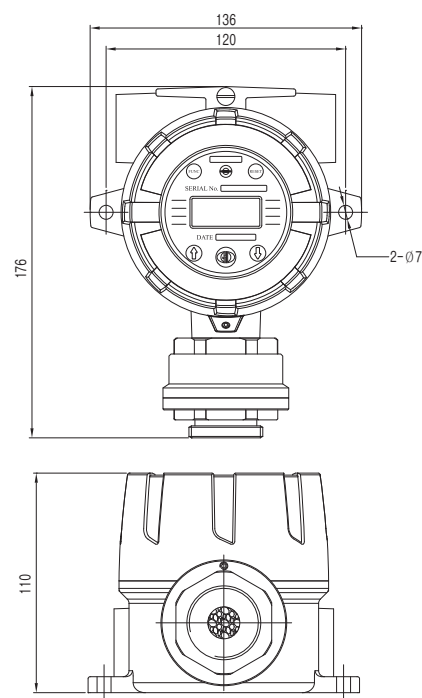
HART
COMMUNICATION PROTOCOL



General



Dimension (Unit:mm)



Accessories



Specification

※ Specifications are subject to be changed without prior notice.

FLAME PROOF TYPE DIFFUSION VOC GAS DETECTOR	
Model	GTD-2000VOC
Measuring gas	VOC gas(Benzene, Toluene, Xylene & etc)
Measuring type	Diffusion type
Measuring method	Photo-Ionization Detector(PID)
Measuring range	5ppb ~ 300ppm
Response time	< 5sec / 90% scale
Accuracy	± 3% / Full scale
Parameter control	Non intrusive control with a Magnet bar (calibration, maintenance)
Operation mode display	1-LED (Power)
Measuring value display	LCD display (Built in back light 2-Line, 8 characters) / OLED Type (Option)
Output signal	Analog : Measuring signal : 4-20mA DC Calibration signal : 3mA DC Fault signal : 0mA DC Digital : 2mA (HART 7, HART Device Description Language available, Option)
Cable/Distance	Power + Signal cable : 3-wire > 1.5sq (AWG16) / 2500m max
Material	Housing : ALDC, SUS316(Optional) / Sensor : SUS316
Conduit connection	G. Rc. NPT 1/2", 3/4" & M20 (G 3/4" : standard)
Mounting type	2" Pole mount, Wall mount, Duct mount
Operating temperature	-20℃ ~ +60℃
Operating humidity	5 ~ 99% RH (non-condensing)
Operating power	18-31V DC (24V DC normal) / 200mA max
Dimensions	136x166x110 (WxHxD)mm
Weight	1.5kg
Approval	Explosion proof type (Ex d IIC T5) KCs / IP66/67 Explosion proof type (Ex d IIC Gb T4-T6) ATEX, IECEx Explosion proof type (Ex d IIC T5 Gb) NEPSI Marine : KR, MED, ABS, DNV CE, HART, SIL 2