



SERIES CRF2 | MERCOID CAPACITANCE LEVEL TRANSMITTER

FEATURES/BENEFITS

- State of the art sensing technology, uses impulse RF admittance measurement which provides excellent accuracy and stability
- Comes with either a rigid or flexible probe depending on application installation need and probe length required
- Easy push button calibration of zero and span
- Any length probe can be customer ordered for any specific application
- FEP covered probe is ideal for use with corrosive media
- Immune to external RF sources like walkie-talkies and cell phones as well as minimal interference with radio communication or other electronic system



APPLICATIONS

- Pulp and paper processing
- Chemical processing
- Food and beverage
- Aggregates
- Plastics
- Mining

DESCRIPTION

The **SERIES CRF2** Capacitive Level Transmitters provide a two-wire 4 to 20 mA output to indicate level of liquids, powders and bulk materials. The CRF2 senses capacitance changes resulting from the height of the material in the tank between the probe and the tank wall. In non-metallic tanks or tanks that do not have the wall parallel to the probe a ground reference must be used.

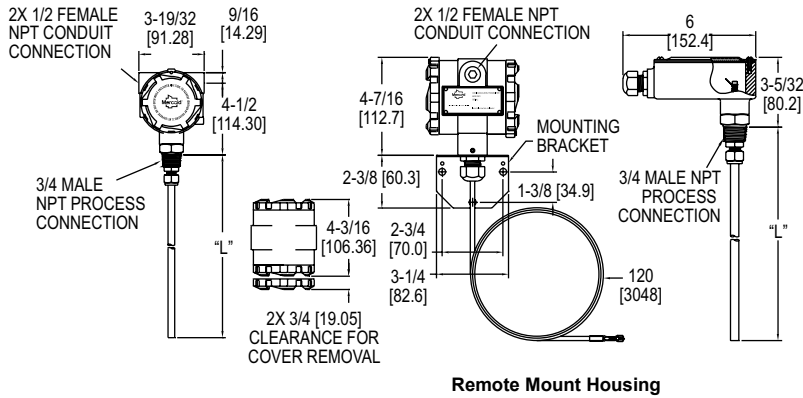
SPECIFICATIONS

Service	Liquids, powders, and bulk materials compatible with wetted materials.
Wetted Materials	Standard: rod/cable: FEP; connection: 316 SS. Ground Option: rod/cable and connection: 316 SS; cable spacers: PVC. Flange Option: material of flange.
Capacitance Range	0 to 2000 pF.
Sensitivity	0.15 pF.
Minimum Span	8 pF.
Accuracy	±0.5 pF or ±0.25% of span, whichever is greater.
Repeatability	±0.25 pF or ±0.1% of span, whichever is greater.
Temperature Limits	Ambient: -40 to 185°F (-40 to 85°C); Process: -40 to 250°F (-40 to 121°C).
Pressure Limit	100 psi (6.9 bar).
Power Requirements	12 to 35 VDC.
Output Signal	4 to 20 mA or 20 to 4 mA, 2 wire.
Electrical Connection	0.5 s.
Mounting Orientation	Screw terminal.
Conduit Connection	1/2" NPT female.
Process Connection	Standard: 3/4" NPT male. Optional: 1", 1-1/2", NPT or BSPT, 1", 1-1/2", or 2" sanitary clamp, 2", 3", or 4" 316SS or PVC 150# flange.
Enclosure Rating	NEMA 4X (IP66) weathertight/corrosion resistant.
Spark/Static Protection	10 M Ohm dissipation resistance with spark gap. Surge current to 100 A max.
Calibration	Zero, Span, 4 mA, 20 mA.
Mounting Orientation	Vertical.
Weight	6 ft rod type: 3.6 lb (1.63 kg).

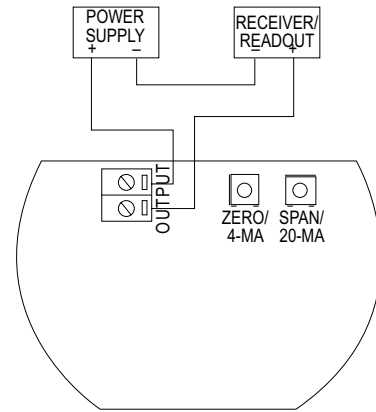




DIMENSIONS

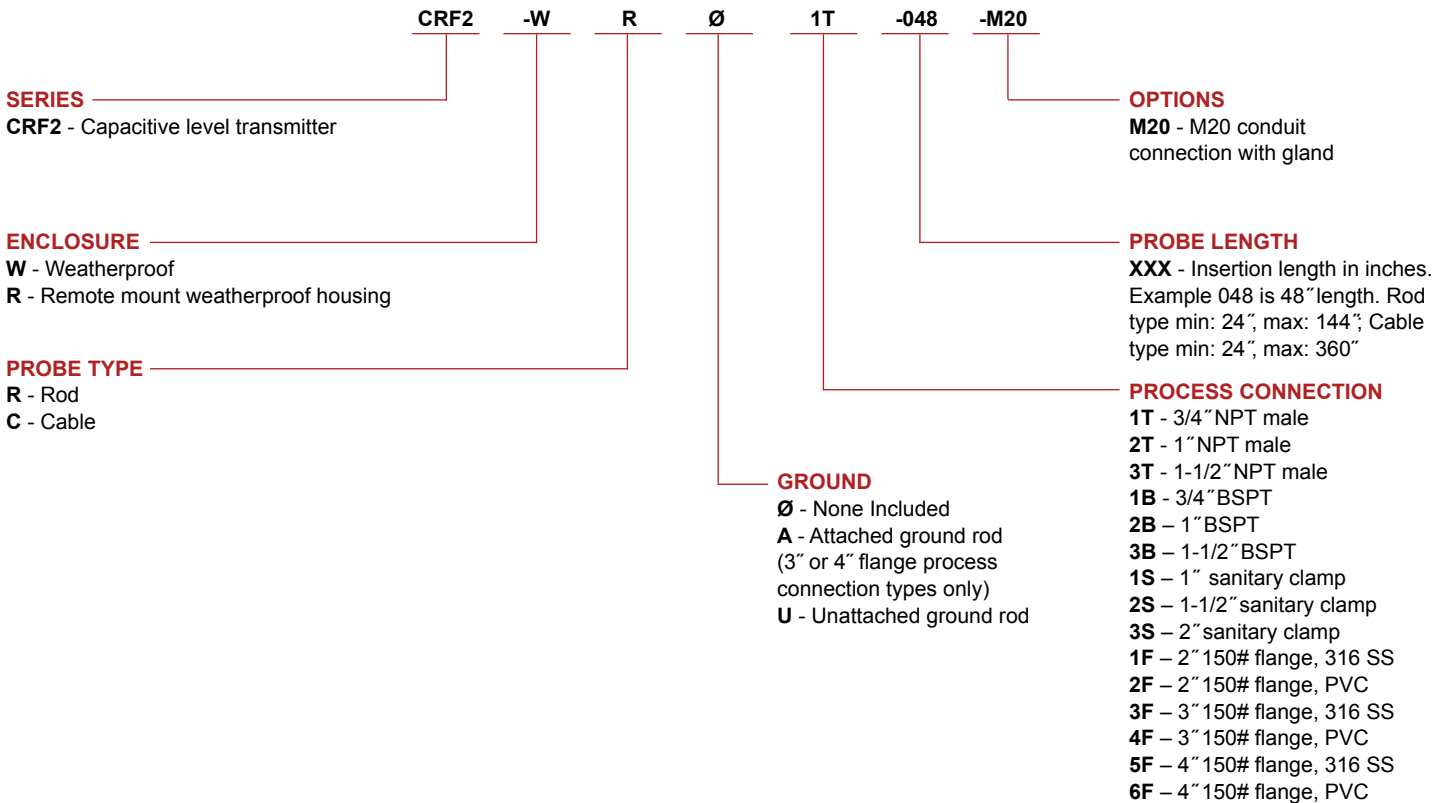


WIRING DIAGRAM



HOW TO ORDER

Use the **bold** characters from the chart below to construct a product code.



Important Notice: Dwyer Instruments, Inc. reserves the right to make changes to or discontinue any product or service identified in this publication without notice. Dwyer advises its customers to obtain the latest version of the relevant information to verify, before placing any orders, that the information being relied upon is current.

