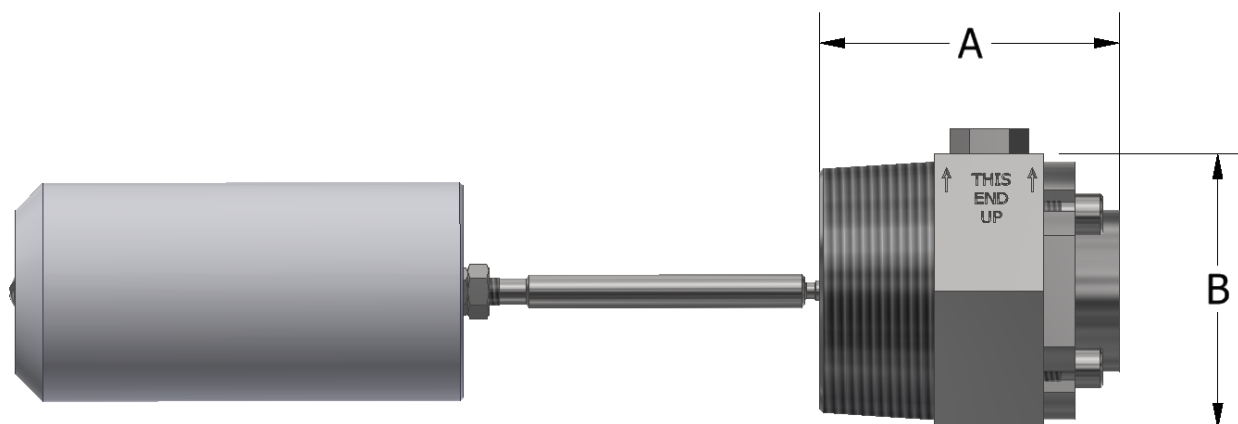


OPERATION

The Ruelco Model 30C2 is a Pneumatic Liquid Level Switch. It incorporates 2" NPT thread giving it substantial mounting flexibility. The displacer operates a pneumatic valve when the liquid in a tank or pressure vessel reaches a predetermined level. The flex level operates as either a high or low level sensor, the mode of operation is selected simply by rotating the valve body 180 degrees. The standard pneumatic valve is a two way N.O. or N.C. valve which provides positive and fast system response. When used as a high level sensor, the valve will be N.C. when the liquid level is below the sensor. The valve for a low level sensor is N.O. when the liquid level is below the sensor.

FEATURES

- 316 stainless steel construction (models to N.A.C.E. MR0175 available)
- Design has no deep cavities or recesses exposed to the process fluids for debris accumulation and is excellent for dirty fluid applications
- Uses a patented pivot seal mechanism to transmit liquid buoyancy to the valve operation mechanism with the pivot completely isolated from the process fluid
- Mode of operation (HI or LO) is easily changed and no re-calibration is required
- Level adjustments cannot be easily tampered with after installation, making this switch well suited for critical applications



DIMENSIONS

A	2.72" (69 mm)
B	2.50" HEX (63.5 mm)
CONNECTION PORTS	1/4" FNPT
WEIGHT	3.3 LBS. (1.5 Kg.)

SPECIFICATIONS

MAXIMUM WORKING PRESSURE	2,160 PSI (149 BAR)
MAXIMUM SUPPLY PRESSURE	50 PSI (3.44 BAR)
MINIMUM SPECIFIC GRAVITY	0.6
Cv FACTOR	.16

PNEUMATIC 2" NPT LEVEL SWITCH

1209 DISTRIBUTORS ROW
NEW ORLEANS, LA 70123

PARTS LIST

ITEM	QUANTITY	DESCRIPTION	MATERIAL
1	1	DISPLACER ASSEMBLY	POLYPROPYLENE OR 316 ST. STL.
2	1	FLOAT ROD	316 ST. STL.
3	1	BODY SEAL RETAINER	316 ST. STL.
4*	1	BODY SEAL	FLUOROCARBON
5	1	BODY	316 ST. STL.
6	1	SPRING CAP	316 ST. STL.
7	1	SPRING	INCONEL
8	1	SPRING GUIDE	316 ST. STL.
9	4	SOCKET HEAD CAP SCREW	316 ST. STL.
10*	1	VALVE SEAT	FLUOROCARBON
11	1	VALVE BODY	CF-8M
12*	1	VALVE RETAINER SEAL	FLUOROCARBON
13	1	VALVE RETAINER	316 ST. STL.
14	1	VALVE POPPET	316 ST. STL.
15*	1	POPPET SEAL	FLUOROSILICONE
16*	1	REMOVABLE PIVOT	17-4 PH ST. STL.
17	1	CONE	17-4 PH ST. STL.
18	1	FLOAT ROD NUT	316 ST. STL.

* INDICATES ITEMS IN THE REPAIR KIT

REPAIR KIT

- 30-089-000

OTHER TEMPERATURE RANGES AND SEAL COMPOUNDS AVAILABLE UPON REQUEST

ORDERING CODE

BODY CODE: 30C2

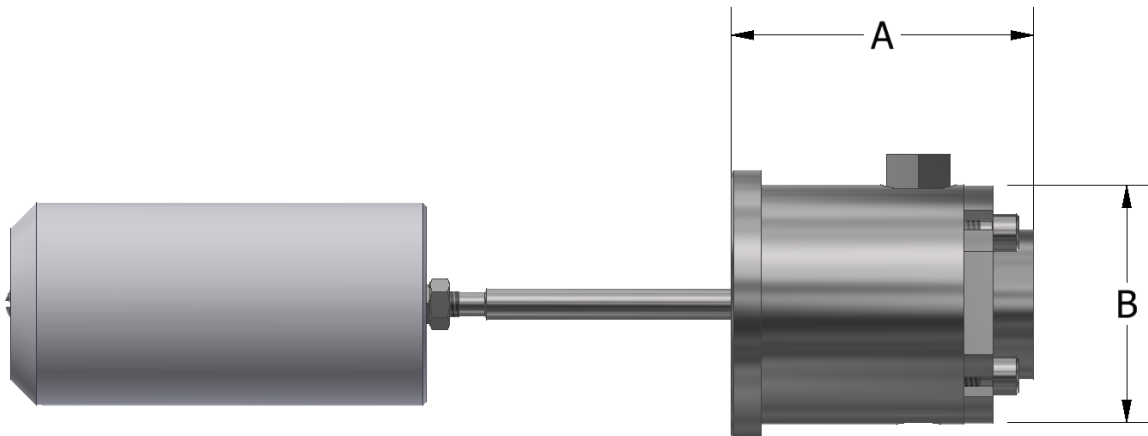
1209 DISTRIBUTORS ROW
NEW ORLEANS, LA 70123

OPERATION

The Ruelco Model 31C2 is a Pneumatic Liquid Level Switch. It incorporates custom flange and gasket giving it substantial mounting flexibility. The displacer operates a pneumatic valve when the liquid in a tank or pressure vessel reaches a predetermined level. The flex level operates as either a high or low level sensor, the mode of operation is selected simply by rotating the valve body 180 degrees. The standard pneumatic valve is a two way N.O. or N.C. valve which provides positive and fast system response. When used as a high level sensor, the valve will be N.C. when the liquid level is below the sensor. The valve for a low level sensor is N.O. when the liquid level is below the sensor.

FEATURES

- 316 stainless steel construction (models to N.A.C.E. MR0175 available)
- Design has no deep cavities or recesses exposed to the process fluids for debris accumulation and is excellent for dirty fluid applications
- Uses a patented pivot seal mechanism to transmit liquid buoyancy to the valve operation mechanism with the pivot completely isolated from the process fluid
- Mode of operation (HI or LO) is easily changed and no re-calibration is required
- Level adjustments cannot be easily tampered with after installation, making this switch well suited for critical applications



DIMENSIONS

A	3.00" (76.2 mm)
B	2.37" (60.2 mm)
CONNECTION PORTS	1/4" FNPT
WEIGHT	3.3 LBS (1.5 Kg.)

SPECIFICATIONS

MAXIMUM WORKING PRESSURE	2,160 PSI (149 BAR)
MAXIMUM SUPPLY PRESSURE	50 PSI (3.44 BAR)
MINIMUM SPECIFIC GRAVITY	0.6
Cv FACTOR	.16

1209 DISTRIBUTORS ROW
NEW ORLEANS, LA 70123

PARTS LIST

ITEM	QUANTITY	DESCRIPTION	MATERIAL
1	1	DISPLACER ASSEMBLY	POLYPROPYLENE OR 316 ST. STL.
2	1	FLOAT ROD	316 ST. STL.
3	1	BODY SEAL RETAINER	316 ST. STL.
4*	1	BODY SEAL	FLUOROCARBON
5	1	FLANGE BODY	316 ST. STL.
6	1	SPRING CAP	316 ST. STL.
7	1	SPRING	INCONEL
8	1	SPRING GUIDE	316 ST. STL.
9	4	SOCKET HEAD CAP SCREW	316 ST. STL.
10*	1	VALVE SEAT	FLUOROCARBON
11	1	VALVE BODY	CF-8M
12*	1	VALVE RETAINER SEAL	FLUOROCARBON
13	1	VALVE RETAINER	316 ST. STL.
14	1	VALVE POPPET	316 ST. STL.
15*	1	POPPET SEAL	FLUOROSILICONE
16*	1	REMOVABLE PIVOT	17-4 PH ST. STL.
17	1	CONE	17-4 PH ST. STL.
18	1	FLOAT ROD NUT	316 ST. STL.

* INDICATES ITEMS IN THE REPAIR KIT

REPAIR KIT

- 30-089-000

OTHER TEMPERATURE RANGES AND SEAL COMPOUNDS AVAILABLE UPON REQUEST

ORDERING CODE

BODY CODE: 31C2

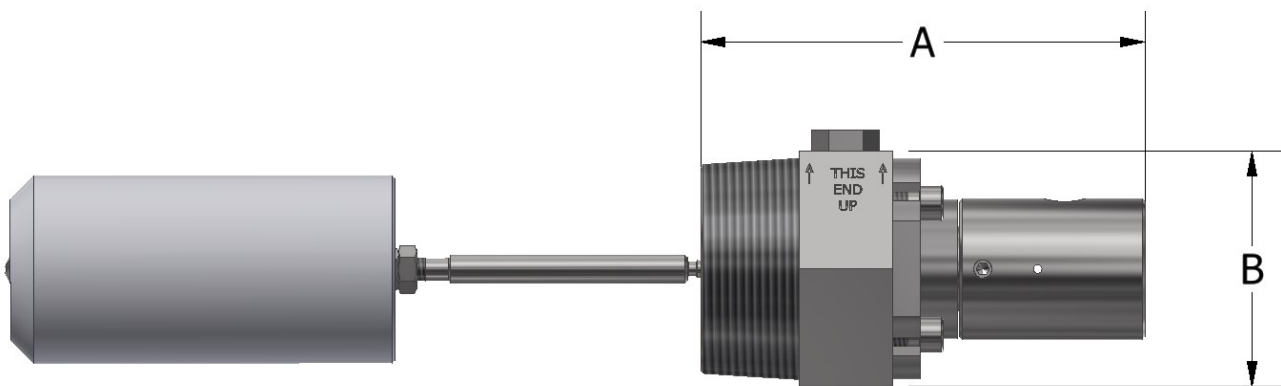
1209 DISTRIBUTORS ROW
NEW ORLEANS, LA 70123

OPERATION

The Ruelco Model 35C2 is a 3-way pneumatic block and bleed, Liquid Level Switch. It incorporates 2" NPT thread giving it substantial mounting flexibility. The displacer operates a pneumatic valve when the liquid in a tank or pressure vessel reaches a predetermined level. The flex level operates as either a high or low level sensor, the mode of operation is selected simply by rotating the valve body 180 degrees. The 3-way pneumatic valve is a N.O. or N.C. block and bleed valve which provides positive and fast system response. When used as a high level sensor, the valve will be N.C. when the liquid level is below the sensor. The valve for a low level sensor is N.O. when the liquid level is below the sensor.

FEATURES

- 316 stainless steel construction (models to N.A.C.E. MR0175 available)
- Design has no deep cavities or recesses exposed to the process fluids for debris accumulation and is excellent for dirty fluid applications
- Uses a patented pivot seal mechanism to transmit liquid buoyancy to the valve operation mechanism with the pivot completely isolated from the process fluid
- Mode of operation (HI or LO) is easily changed and no re-calibration is required
- Level adjustments cannot be easily tampered with after installation, making this switch well suited for critical applications



DIMENSIONS

A	4.72" (119.8 mm)
B	2.50" HEX (63.5 mm)
CONNECTION PORTS	1/4" FNPT
WEIGHT	4.03 LBS. (1.83 Kg.)

SPECIFICATIONS

MAXIMUM WORKING PRESSURE	2,160 PSI (149 BAR)
MAXIMUM SUPPLY PRESSURE	50 PSI (3.44 BAR)
MINIMUM SPECIFIC GRAVITY	0.6
Cv FACTOR	.12

1209 DISTRIBUTORS ROW
NEW ORLEANS, LA 70123

3-WAY PNEUMATIC 2" NPT LEVEL SWITCH

PARTS LIST

ITEM	QUANTITY	DESCRIPTION	MATERIAL
1	1	DISPLACER ASSEMBLY	POLYPROPYLENE OR 316 ST. STL.
2	1	FLOAT ROD	316 ST. STL.
3	1	BODY SEAL RETAINER	316 ST. STL.
4*	1	BODY SEAL	FLUOROCARBON
5	1	BODY	316 ST. STL.
6	1	SPRING CAP	316 ST. STL.
7	1	SPRING	INCONEL
8	1	SPRING GUIDE	316 ST. STL.
9	4	SOCKET HEAD CAP SCREW	316 ST. STL.
10	1	VALVE BODY	CF-8M
11	1	3-WAY VALVE POPPET	316 ST. STL.
12*	2	POPPET WEAR RINGS	DELTRIN
13*	1	REMOVABLE PIVOT	17-4 PH ST. STL.
14	1	CONE	17-4 PH ST. STL.
15	1	FLOAT ROD NUT	316 ST. STL.
16	1	3-WAY VALVE BODY	316 ST. STL.
17	1	COLLAR	316 ST. STL.
18	3	COLLAR SET SCREWS	ST. STL.
19	1	RETAINER	316 ST. STL.
20*	1	RETAINER SEAL	FLUOROCARBON
21*	1	STINGER	ST. STL./ FLUOROCARBON
22	1	PUSH ROD ASSEMBLY	ST. STL.

* INDICATES ITEMS IN THE REPAIR KIT

REPAIR KIT

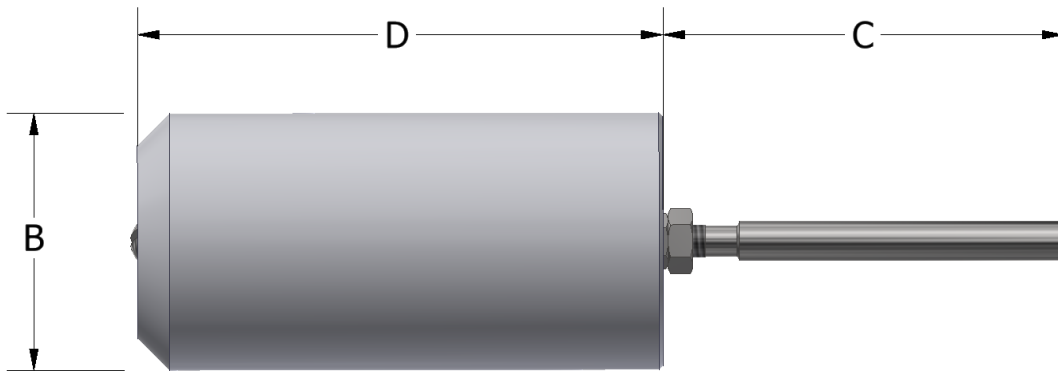
- 35-007-000

ORDERING CODE

BODY CODE: 30C2

1209 DISTRIBUTORS ROW
NEW ORLEANS, LA 70123

POLYPROPYLENE 3" ROD



DIMENSIONS

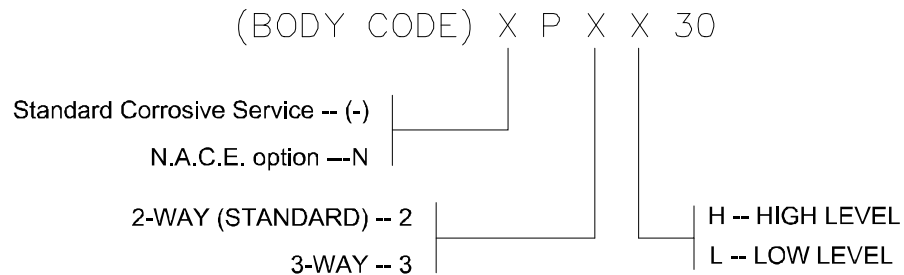
B	2.00" (50.8 mm)
C	3.25" (82.6 mm)
D	4.10" (104.14 mm)

SPECIFICATIONS

MAXIMUM WORKING PRESSURE	2,160 PSI (149 BAR)
AMBIENT TEMPERATURE RANGE	-20 TO 250° F -29 TO 122° C
MAXIMUM PROCESS TEMPERATURE	200°F (93°C)

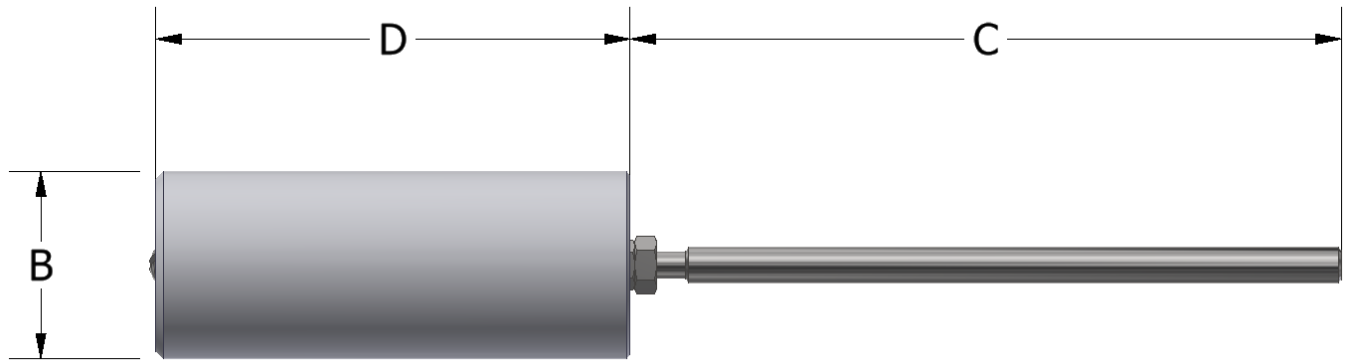
DISPLACERS

ORDERING CODE



1209 DISTRIBUTORS ROW
 NEW ORLEANS, LA 70123

POLYPROPYLENE 6" ROD



DIMENSIONS

B	1.62" (41.3 mm)
C	6.50" (165.1 mm)
D	4.10" (104.14 mm)

SPECIFICATIONS

MAXIMUM WORKING PRESSURE	2,160 PSI (149 BAR)
AMBIENT TEMPERATURE RANGE	-20 TO 250° F -29 TO 122° C
MAXIMUM PROCESS TEMPERATURE	200°F (93°C)

DISPLACERS

ORDERING CODE

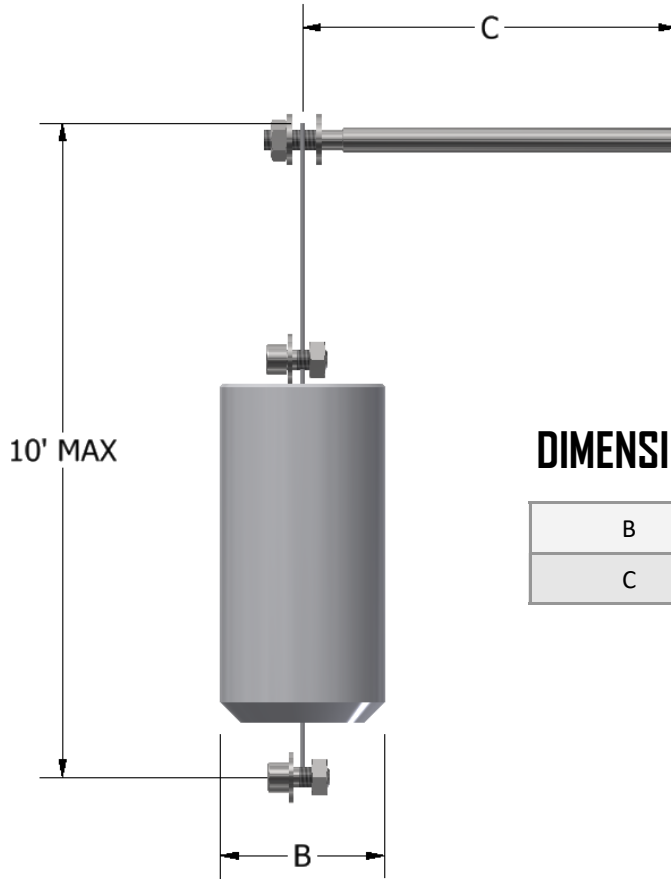
(BODY CODE) X P X X 60

Standard Corrosive Service -- (-) |
 N.A.C.E. option ---N |

2-WAY (STANDARD) -- 2 | H -- HIGH LEVEL
 3-WAY -- 3 | L -- LOW LEVEL

1209 DISTRIBUTORS ROW
 NEW ORLEANS, LA 70123

POLYPROPYLENE 10' HANGDOWN



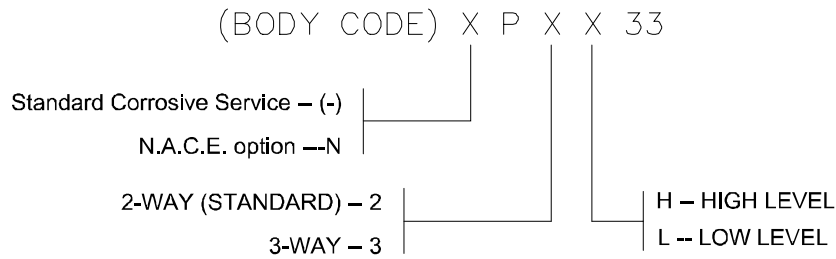
DIMENSIONS

B	2.00" (50.8 mm)
C	4.50" (114.3 mm)

SPECIFICATIONS

MAXIMUM WORKING PRESSURE	2,160 PSI (149 BAR)
AMBIENT TEMPERATURE RANGE	-20 TO 250° F -29 TO 122° C
MAXIMUM PROCESS TEMPERATURE	200° F (93°C)

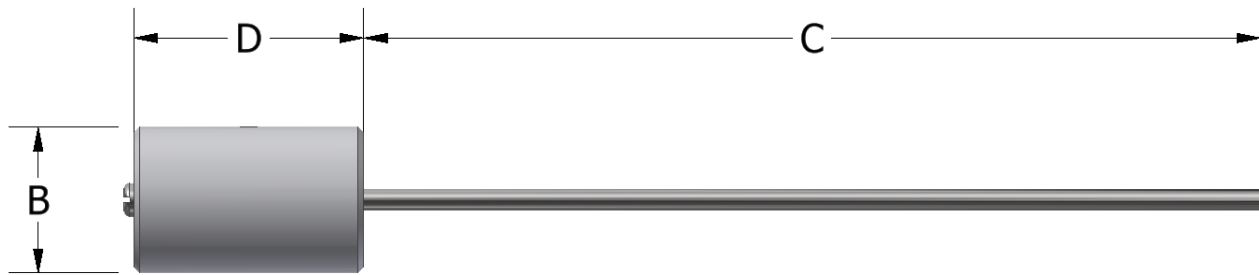
ORDERING CODE



DISPLACERS

1209 DISTRIBUTORS ROW
 NEW ORLEANS, LA 70123

POLYPROPYLENE EXTENDED ROD



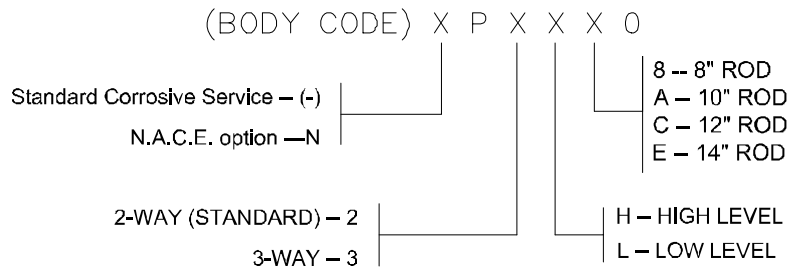
DIMENSIONS

	8" ROD	10" ROD	12" ROD	14" ROD
B	1.62" (41.3 mm)	1.62" (41.3 mm)	1.62" (41.3 mm)	1.50" (38.1 mm)
C	6.72" (170.7 mm)	9.95" (252.7 mm)	12.19" (309.6 mm)	13.75" (349.3 mm)
D	3.00" (76.2 mm)	2.55" (64.8 mm)	2.12" (53.8 mm)	2.30" (58.4 mm)

SPECIFICATIONS

MAXIMUM WORKING PRESSURE	2,160 PSI (149 BAR)
AMBIENT TEMPERATURE RANGE	-20 TO 250° F -29 TO 122° C
MAXIMUM PROCESS TEMPERATURE	200°F (93°C)

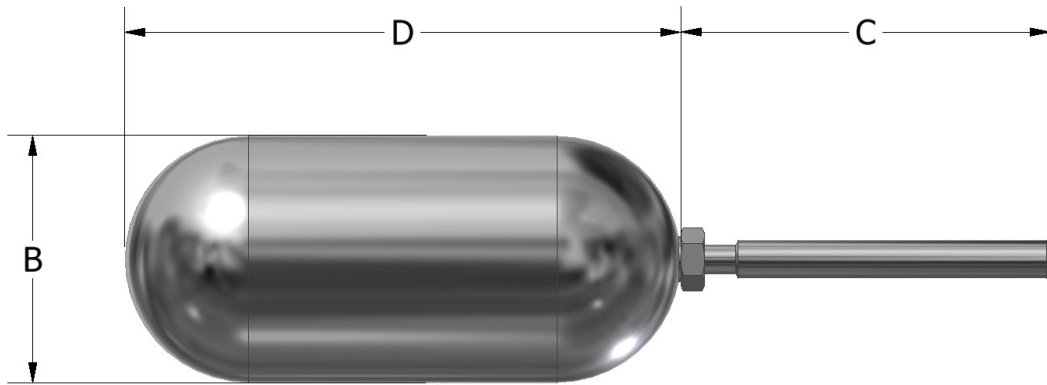
ORDERING CODE



DISPLACERS

1209 DISTRIBUTORS ROW
NEW ORLEANS, LA 70123

316 ST. STL. 3" ROD



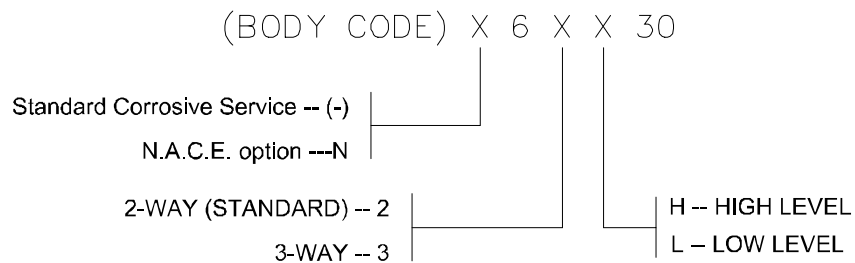
DIMENSIONS

B	2.00" (50.8 mm)
C	3.25" (82.6 mm)
D	4.50" (114.3 mm)

SPECIFICATIONS

MAXIMUM WORKING PRESSURE	2,160 PSI (149 BAR)
AMBIENT TEMPERATURE RANGE	-20 TO 300° F -29 TO 148° C
MAXIMUM PROCESS TEMPERATURE	300°F (148°C)

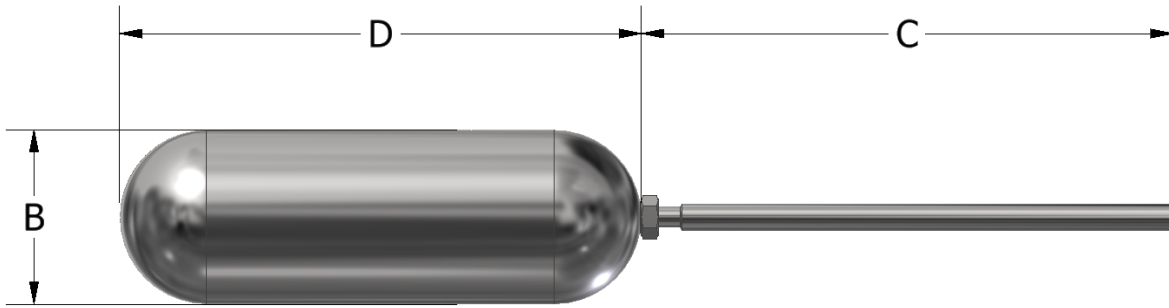
ORDERING CODE



DISPLACERS

1209 DISTRIBUTORS ROW
NEW ORLEANS, LA 70123

316 ST. STL. 6" ROD



DIMENSIONS

B	2.00" (50.8 mm)
C	6.50" (165.1 mm)
D	6.00" (152.4 mm)

SPECIFICATIONS

MAXIMUM WORKING PRESSURE	300 PSI (20.68 BAR)
AMBIENT TEMPERATURE RANGE	-20 TO 300° F -29 TO 148° C
MAXIMUM PROCESS TEMPERATURE	300°F (148°C)

ORDERING CODE

(BODY CODE) SA0002 X X X 60

Standard Corrosive Service -- (-)

N.A.C.E. option ---N

2-WAY (STANDARD) -- 2

3-WAY -- 3

H -- HIGH LEVEL

L -- LOW LEVEL

DISPLACERS

1209 DISTRIBUTORS ROW
NEW ORLEANS, LA 70123