

## Bimetal thermometer for a separate thermowell centre back connection Type series FA8100



### Application area

- Pharmaceutical industry
- Machinery construction
- General process technology

### Features

- High quality stainless steel case, NS 50, degree of protection IP 66
- Compact design, suitable for thermowells see type series HP1100 and HP1200
- Nominal range 0...160 °C
- Device connection union nut M12, temperature detecting element Ø 3 mm
- Accuracy class 2 per EN 13190

### Options

- Approvals/Certificates
  - Calibration certificate as per EN 10204
- Nominal range -20...140 °C
- Device connection union nut G 3/8

### Application

The bimetal thermometer with centre back connection is designed for the installation in a separate thermowell. Suitable thermowells see type series HP1100 and HP1200 (data sheets T5-051 and T5-050).

## Technical data

### Constructional design / case

Design:	High quality stainless steel case
Material case:	Stainless steel mat.-no. 1.4305 (303)
Nominal size:	NS 50
Degree of protection per EN 60529:	IP 66
Case seal:	Material gasket: NBR
Window:	Macrolon

### Measuring system

Movement:	Stainless steel
Scale:	Pure aluminium, white with black inscription. Option: with marking
Pointer:	Pure aluminium, black
Measuring element:	Helix from thermostatic bimetal per DIN 1715, with good adjusting force and fast acting, thermally aged. Base and connecting piece laser welded.
Temperature detecting element:	Sensor $\varnothing$ 3 mm, Temperature detecting element with spring preload, Insertion length ( $l_1$ ) see order details Material: stainless steel 316L Active length $l_2 = 14$ mm

### Process connection

Process connection via thermowells HP1100 and HP1200 (see data sheets T5-051 and T5-050)

Position:	Centre back
Threaded connection:	Union nut M12 Option: union nut G 3/8

### Nominal range

Nominal range (EN 13190):	0...160 °C Option: -20...140 °C Scale angle 180°
---------------------------	--

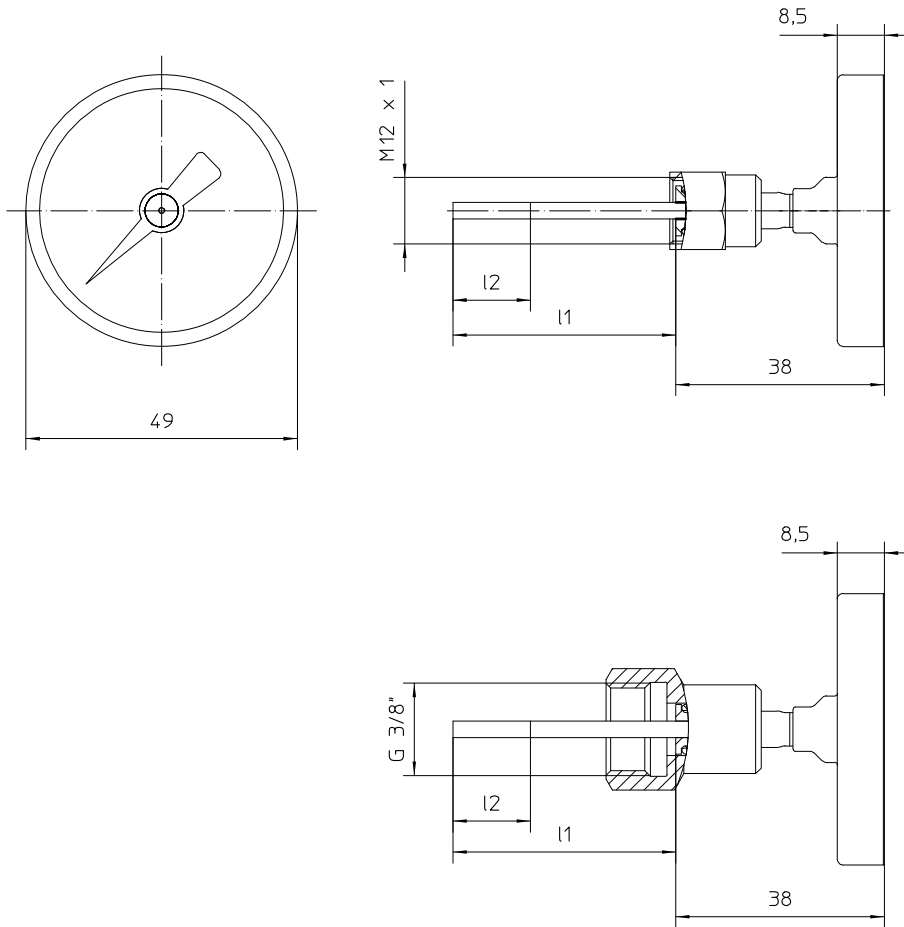
### Accuracy

Accuracy per EN13190:	Class 2.0
-----------------------	-----------

### Temperature ranges

Ambient:	-20...80 °C
Storage:	-40...80 °C

## Dimensions



**The sensitive portion  $l2$  shall reach the media temperature completely.  
The insertion length  $l1$  should have adequate size.**

## Order details

### Bimetal thermometer NS 50 centre back connection, Type series FA8100

Order details FA8100		
FA8100	case design	NS 50, centre back connection, degree of protection IP 66
A2544	nominal range	0...160 °C
A2353		-20...140 °C
Q24	accuracy	class 2 per EN 13190
D2032	process connection	union nut M12
D2005		union nut G 3/8
F3 . . .	temperature detecting element	sensor Ø 3 mm
998	insertion length $l_1$	suitable for thermowell U <sub>1</sub>
028		28 mm
029		29 mm
038		38 mm
039		39 mm
060		60 mm
084		84 mm
161		161 mm
. . .		up to 240 mm, please specify insertion length, e.g. $l_1$ : 100 mm: order detail 100
R11		window

Additional features (to be indicated if required):		
T2	marking	on scale (please specify)
W1204	calibration certificate	per EN 10204-3.1, 3 measuring points
W1201		per EN 10204-3.1, 5 measuring points

Order code (example): FA8100 - A2544 - Q24 - D2005 - F3028 - ...